



### Mark VI Electronic Indicators With Integrated Bluetooth Technology



Battery Tray for Mark VI  
Part Number: M289.510-02



Reader Head for Mark VI  
Part Number: M289.200-13



Part Number	Range	Maximum Error	Resolution
54-530-335-0	0- .500"/12.5mm	0.00012"/.003mm	.00005"/.001mm
54-530-355-0	0-1.000"/25mm	0.00016"/.004mm	.00005"/.001mm
54-115-246-BT	USB Port Bluetooth receiver		

### Mark VI Electronic Indicators With Analog Display



Battery Tray for Mark VI  
Part Number: M289.510-02



Reader Head for Mark VI  
Part Number: M289.200-13

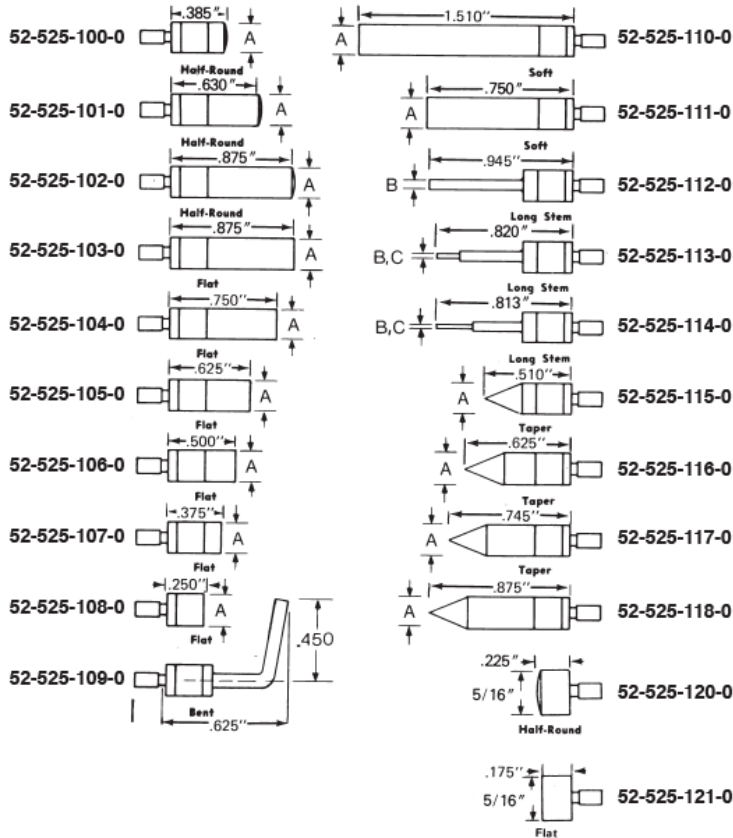


Part Number	Range	Maximum Error	Resolution
54-530-535-0	0- .500"/12.5mm	0.00012"/.003mm	.00005"/.001mm
54-530-555-0	0-1.000"/25mm	0.00016"/.004mm	.00005"/.001mm

Indicators

### Dial Indicator Accessories

Indicators



**Special Features:**

- AGD contact points for standard type dial indicators: 4—48 thread.
- Thread fits all AGD gages, Groups 1, 2, 3 or 4.
- Point dimensions: A = 7/32", B = 1/16" & C = 1/32".
- Available in complete sets or individual contact points.

Part Number	Description
52-525-222-0	Contact Points—Complete Set (Includes all points shown.)



### Dial Indicator Accessories



52-525-155-0



52-525-140-0



52-525-145-0



52-525-150-0

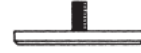
▲ Special Contacts

- Popular contacts for dial indicators. 4-48 threads fit all AGD Groups 1, 2, 3 and 4 indicators.



▲ Button Contacts

- Hardened steel with black oxide plating. AGD 4-48 threads



▲ Flat Contacts

- Hardened steel with black oxide plating. AGD 4-48 threads

Part Number	Description
-------------	-------------

Special Contacts:

52-525-140-0	Roller ball contact point 4-48
52-525-145-0	Chisel type contact point 4-48
52-525-150-0	Knife contact point 4-48
52-525-155-0	1/8" Carbide ball contact pt. 4-48

Button Contact Points:

52-525-160-0	3/8" Button contact point 4-48
52-525-165-0	1/2" Button contact point 4-48
52-525-170-0	3/4" Button contact point 4-48

Flat Contact Points:

52-525-175-0	3/8" Flat contact point 4-48
52-525-180-0	1/2" Flat contact point 4-48
52-525-185-0	5/8" Flat contact point 4-48
52-525-190-0	3/4" Flat contact point 4-48
52-525-195-0	1" Flat contact point 4-48
52-525-200-0	1-1/2" Flat contact point 4-48





### Indicator Point Adaptors



▲ No. 52-526-333-0 Kit which includes 1", 2" and 3" extension points.



No. 54-618-470-0 Conversion point adaptor (metric to inch).



No. 52-125-002-0 & 004-0 Depth Bases

#### Special Features No. 54-618-470-0:

- The Metric to Inch Conversion Point allows metric threaded indicators and probes to use standard AGD 4-48 points.
- The internal thread accepts 4-48 standard points and extensions.
- External thread is a metric M2.5.
- Manufactured from cold rolled steel, black oxide plated.

#### Special Features No. 52-526 Series:

- Kit No. 52-526-333 contains our most popular extension point sizes—1", 2" and 3".
- Extension points available individually in sizes 1", 1-1/2", 2", 2-1/2", 3", 4" and 6".
- All extension points have 4-48 external and internal threads.
- Manufactured from cold rolled steel with a black oxide plating.

#### Part Number Description

Part Number	Description
Metric to Inch Conversion Point	
54-618-470-0	1/2" Long Metric to Inch Conversion Point Adaptor
Extension Points	
52-526-333-0	Extension Kit (Includes 1", 2" and 3" Extension Points)
52-526-001-0	1" Extension Point
52-526-002-0	1-1/2" Extension Point
52-526-003-0	2" Extension Point
52-526-004-0	2-1/2" Extension Point
52-526-005-0	3" Extension Point
52-526-006-0	4" Extension Point
52-526-007-0	6" Extension Point
Depth Bases	
52-125-002-0	Dial Indicator Depth Base—Length 2-1/2"
52-125-004-0	Dial Indicator Depth Base—Length 4"

