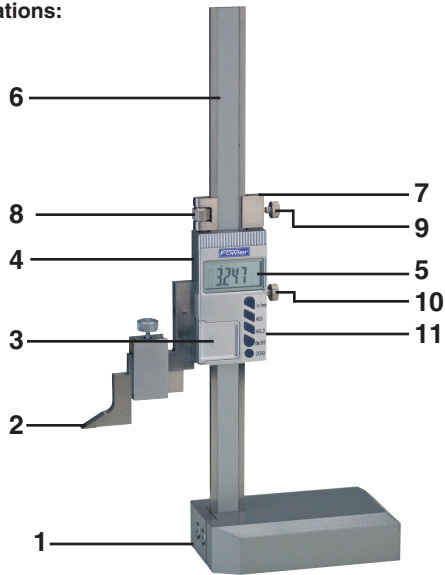


**Specifications:**



1. Base
2. Measuring Scriber
3. Battery Compartment
4. Carriage
5. LCD Display
6. Column
7. Fine Adjustment Carriage
8. Fine Adjustment Nut
9. Fine Adjust Carriage Lock
10. Main Carriage Lock
11. Control Panel

**1. Main Technical Index**

- 1.1 Resolution: 0.0005"/0.01mm
- 1.2 Indication accuracy: 6" = ± .001"/0.02mm
- 1.3 Indication variability: 0.0005"/0.01mm
- 1.4 Working temperature: 0 - 40°C
- 1.5 Storage and transport temperature: -20 - 70°C
- 1.6 Surrounding humidity: relative humidity 80%

**2. Features**

- 3.1 Large easy to read LCD display
- 3.2 Carbide tipped scriber
- 3.3 Floating zero
- 3.4 Datum position recall
- 3.5 ABS/INC measurement
- 3.6 Measuring speed: 120" per second
- 3.7 Auto-off after several minutes.

**3. Functions**

- 3.1 OFF/ON key.
- 3.2 mm/in key: metric/inch conversion.
- 3.3 ABS/INC key (incremental measuring and absolute measuring).  
When height gage is in absolute mode, press the key to enter the incremental measuring mode. The screen will display 0.00 and INC will appear. Press again, and the gage returns to the absolute measuring mode while retaining the zero.
- 3.4 "Hold" key (display hold).  
Press the key, "H" appears. The display will not change although the processor is still operating. Press the key again, "H" will disappear and the display will show the current reading.
- 3.5 "Zero" key (zero setting at any position).

**4. Zero Setting**

- 4.1 Clean base and scriber before use.
- 4.2 Loosen carriage locks.  
A. Course adjust: Slide measuring carriage  
B. Fine adjust: Lock fine adjust carriage, turn fine adjust nut, let the jaw contact the part carefully without force.
- 4.4 Press zero setting key. Screen shows 0.00. Measuring or marking may begin.

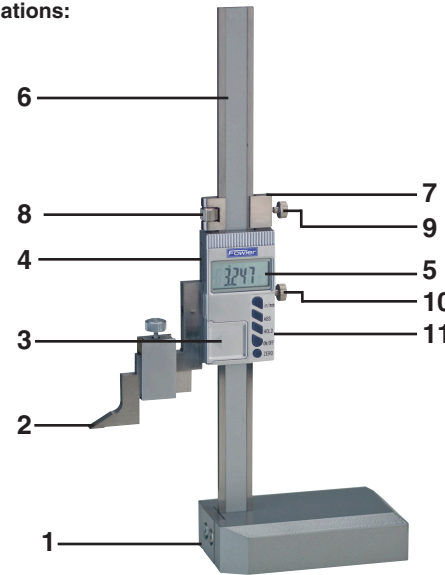
**5. Power Source**

One CR2032, 3V lithium battery can provide up to one year of normal use. The display will flash when a new battery is needed.

**6. Notes**

- 6.1 Keep the tool clean and avoid shocks or accuracy may be affected.
- 6.2 Move the tool by the base, not the column.
- 6.3 Lower the carriage when not in use, but not lower than the bottom of the base. If the unit will not be used for some time, remove the scriber and apply a light coat of oil on all surfaces.
- 6.4 Keep away from strong magnetic fields.
- 6.5 Prevent water or other liquids from entering the carriage.

**Specifications:**



1. Base
2. Measuring Scriber
3. Battery Compartment
4. Carriage
5. LCD Display
6. Column
7. Fine Adjustment Carriage
8. Fine Adjustment Nut
9. Fine Adjust Carriage Lock
10. Main Carriage Lock
11. Control Panel

**1. Main Technical Index**

- 1.1 Resolution: 0.0005"/0.01mm
- 1.2 Indication accuracy: 6" = ± .001"/0.02mm
- 1.3 Indication variability: 0.0005"/0.01mm
- 1.4 Working temperature: 0 - 40°C
- 1.5 Storage and transport temperature: -20 - 70°C
- 1.6 Surrounding humidity: relative humidity 80%

**2. Features**

- 3.1 Large easy to read LCD display
- 3.2 Carbide tipped scriber
- 3.3 Floating zero
- 3.4 Datum position recall
- 3.5 ABS/INC measurement
- 3.6 Measuring speed: 120" per second
- 3.7 Auto-off after several minutes.

**3. Functions**

- 3.1 OFF/ON key.
- 3.2 mm/in key: metric/inch conversion.
- 3.3 ABS/INC key (incremental measuring and absolute measuring).  
When height gage is in absolute mode, press the key to enter the incremental measuring mode. The screen will display 0.00 and INC will appear. Press again, and the gage returns to the absolute measuring mode while retaining the zero.
- 3.4 "Hold" key (display hold).  
Press the key, "H" appears. The display will not change although the processor is still operating. Press the key again, "H" will disappear and the display will show the current reading.
- 3.5 "Zero" key (zero setting at any position).

**4. Zero Setting**

- 4.1 Clean base and scriber before use.
- 4.2 Loosen carriage locks.  
A. Course adjust: Slide measuring carriage  
B. Fine adjust: Lock fine adjust carriage, turn fine adjust nut, let the jaw contact the part carefully without force.
- 4.4 Press zero setting key. Screen shows 0.00. Measuring or marking may begin.

**5. Power Source**

One CR2032, 3V lithium battery can provide up to one year of normal use. The display will flash when a new battery is needed.

**6. Notes**

- 6.1 Keep the tool clean and avoid shocks or accuracy may be affected.
- 6.2 Move the tool by the base, not the column.
- 6.3 Lower the carriage when not in use, but not lower than the bottom of the base. If the unit will not be used for some time, remove the scriber and apply a light coat of oil on all surfaces.
- 6.4 Keep away from strong magnetic fields.
- 6.5 Prevent water or other liquids from entering the carriage.